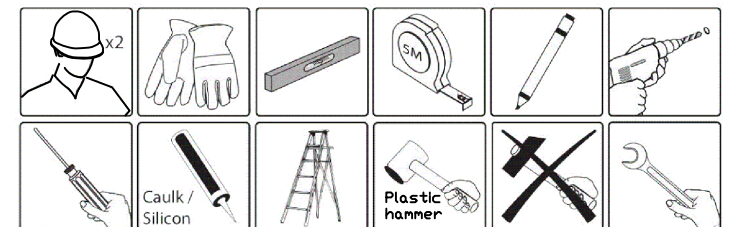
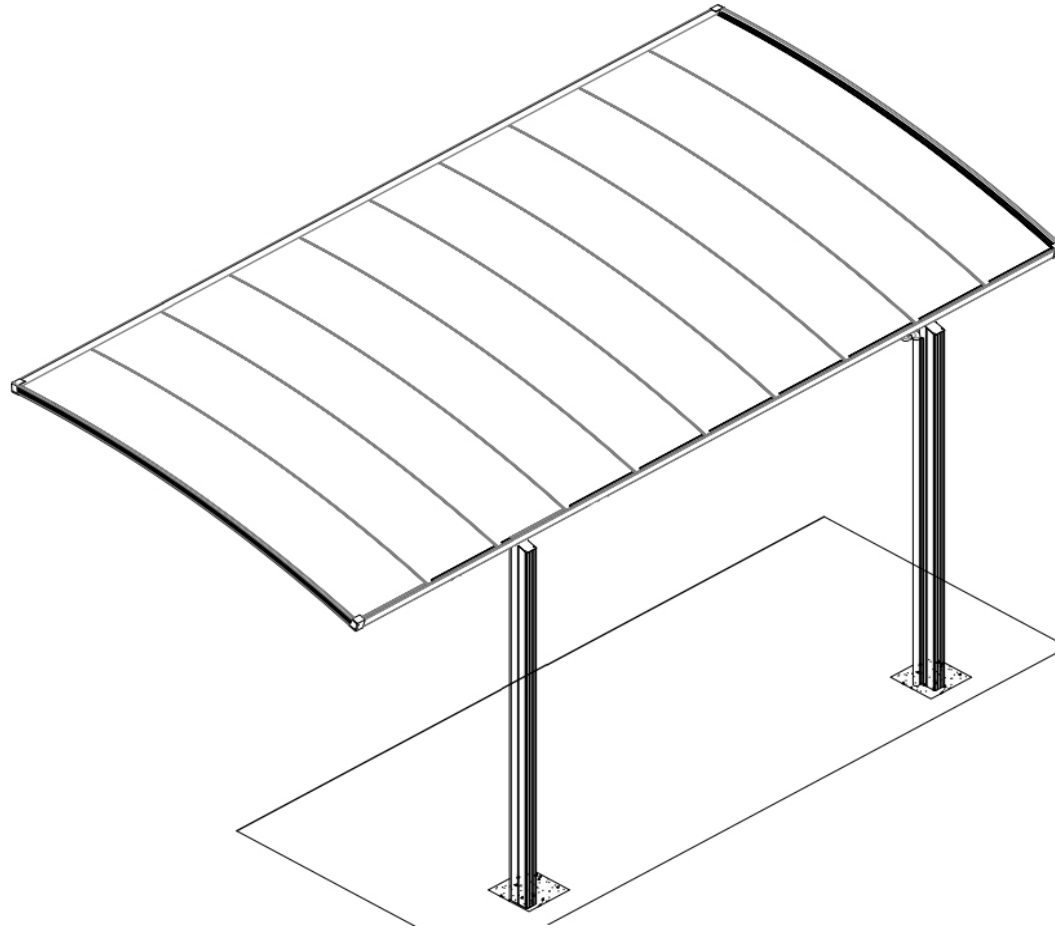
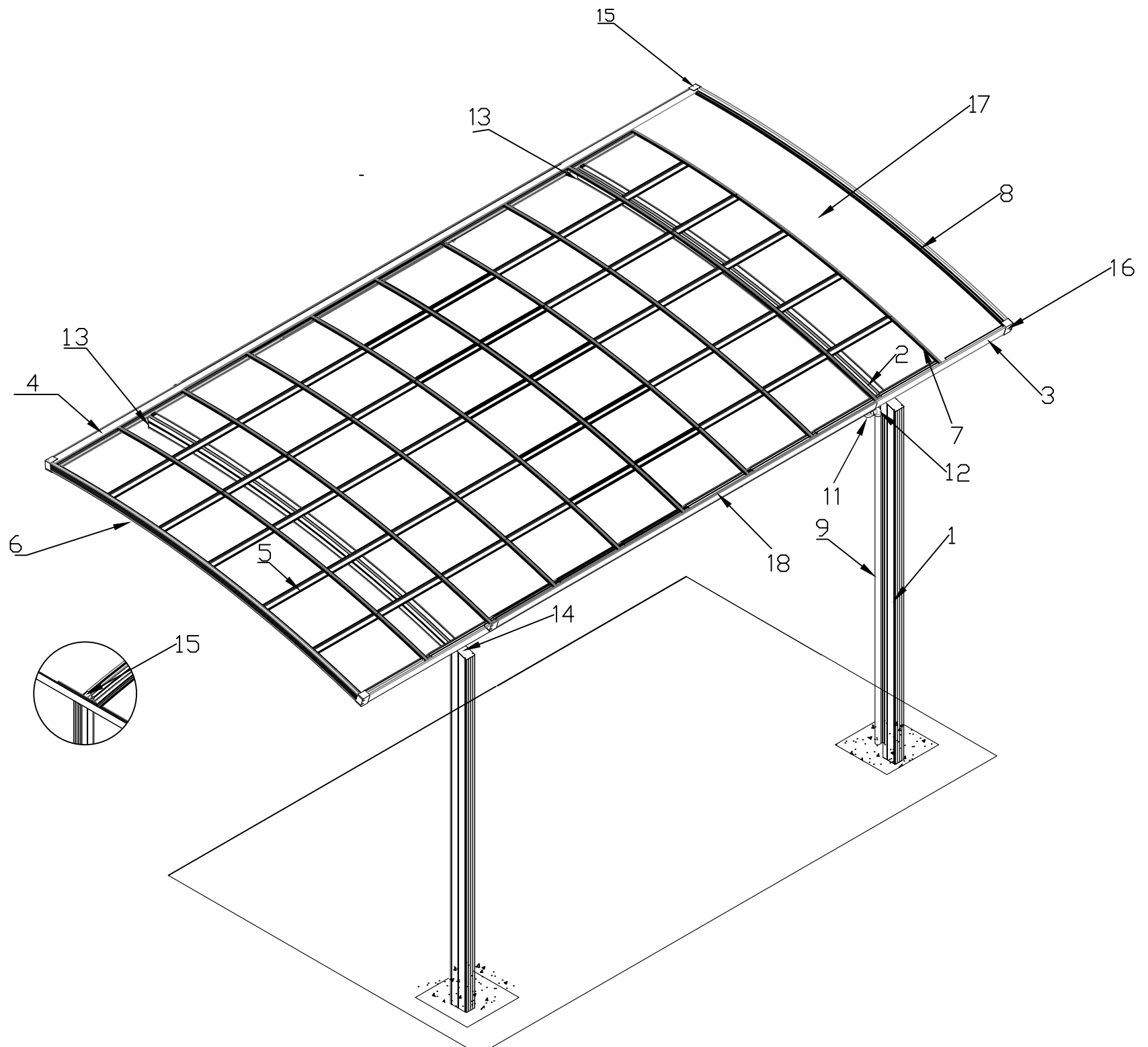









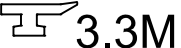






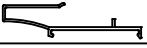

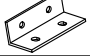










Carports Installation Notes

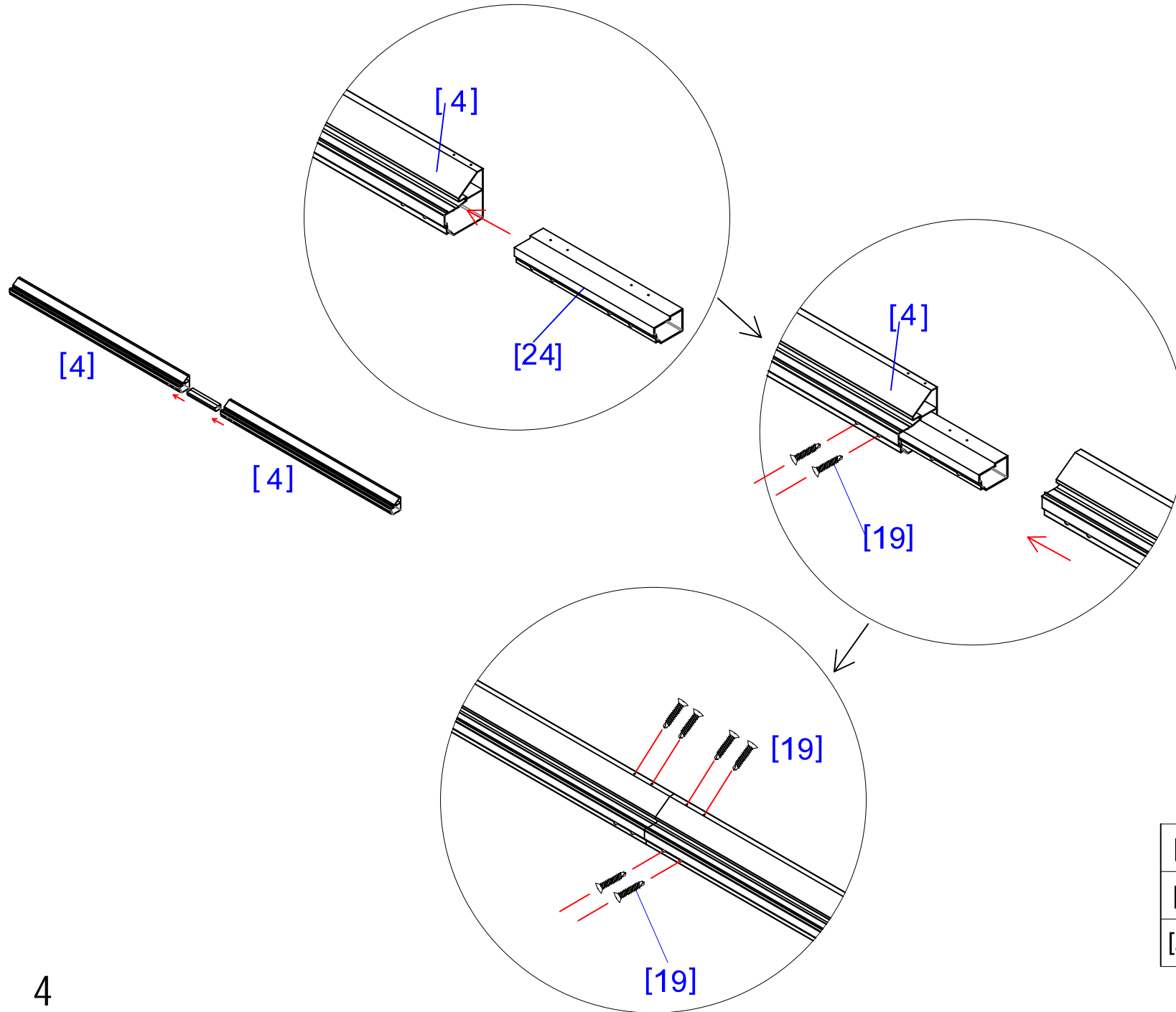







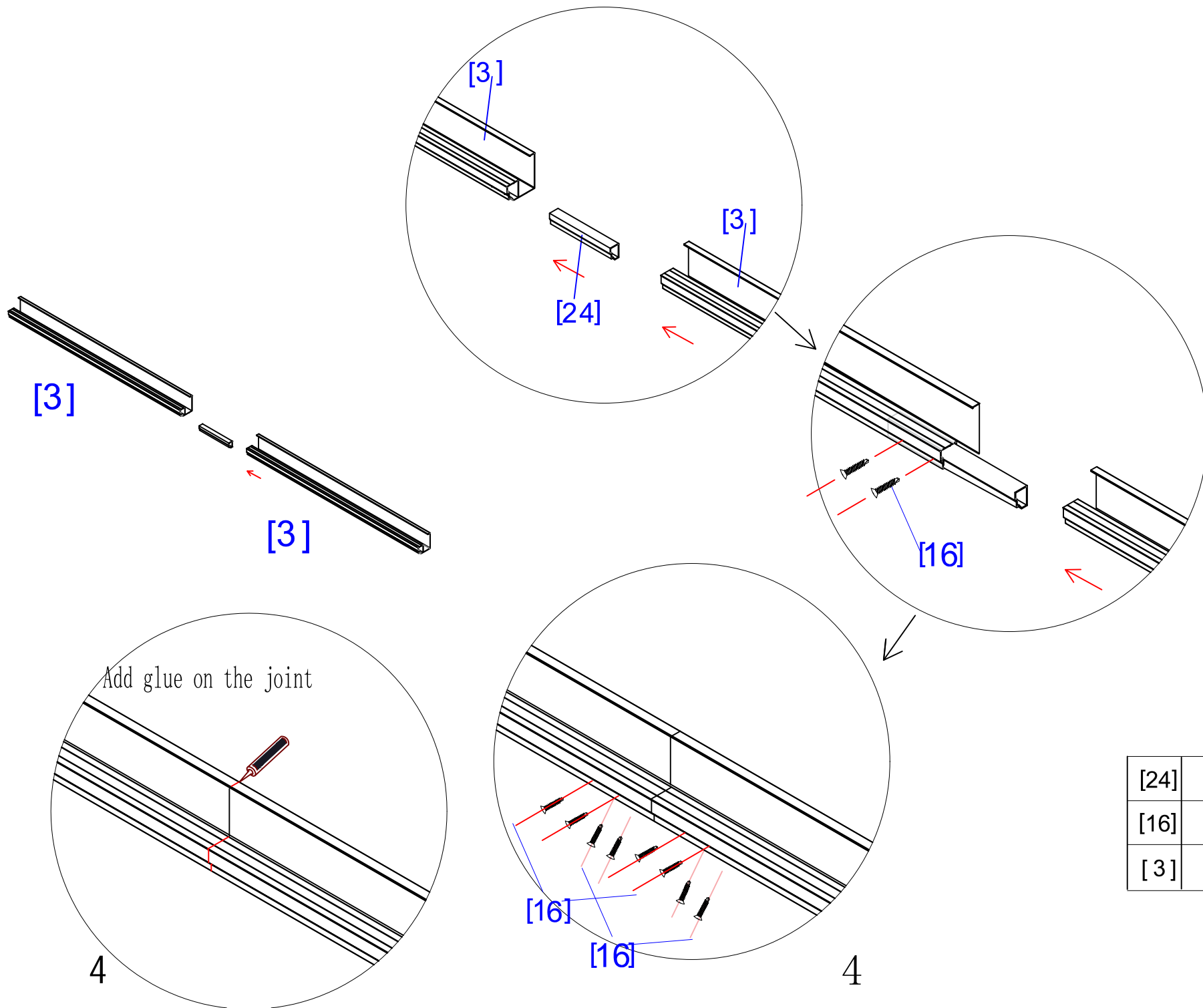
Item	Drawings	Qty	
[1]		2	Post
[2]		2	Bigger support tube
[3]		2	Back tube
[4]		2	Front tube
[5]		10	Small support
[6]		2	Side tube
[7]		9	Bottom cover strip
[8]		11	Top cover strip
[9]		1	Drainage tube
[10]	 3.3M	17	Rubber
[11]		1	Straight connector
[12]		2	Conner connector
[13]		2	Cap for support tube
[14]		2	Bracket
[15]		2	Cap for Front tube
[16]		2	Cap for Back tube

Item	Drawings	Qty	
[17]	PC sheet	10	PC sheet
[18]		10	channel for inserting PC sheet
[19]	 M4*16	252	Screw
[20]		2	Reinforcement parts
[21]	 M10*25	28	hex Screw
[22]	 M10*150	12	Expansion bolt
[23]		2	Post base plate
[24]		1	Internal inserts
[25]	 M5*12	88	Screw
[26]	 M5*32	77	Screw
[27]		1	Internal inserts
[28]		5	Internal inserts

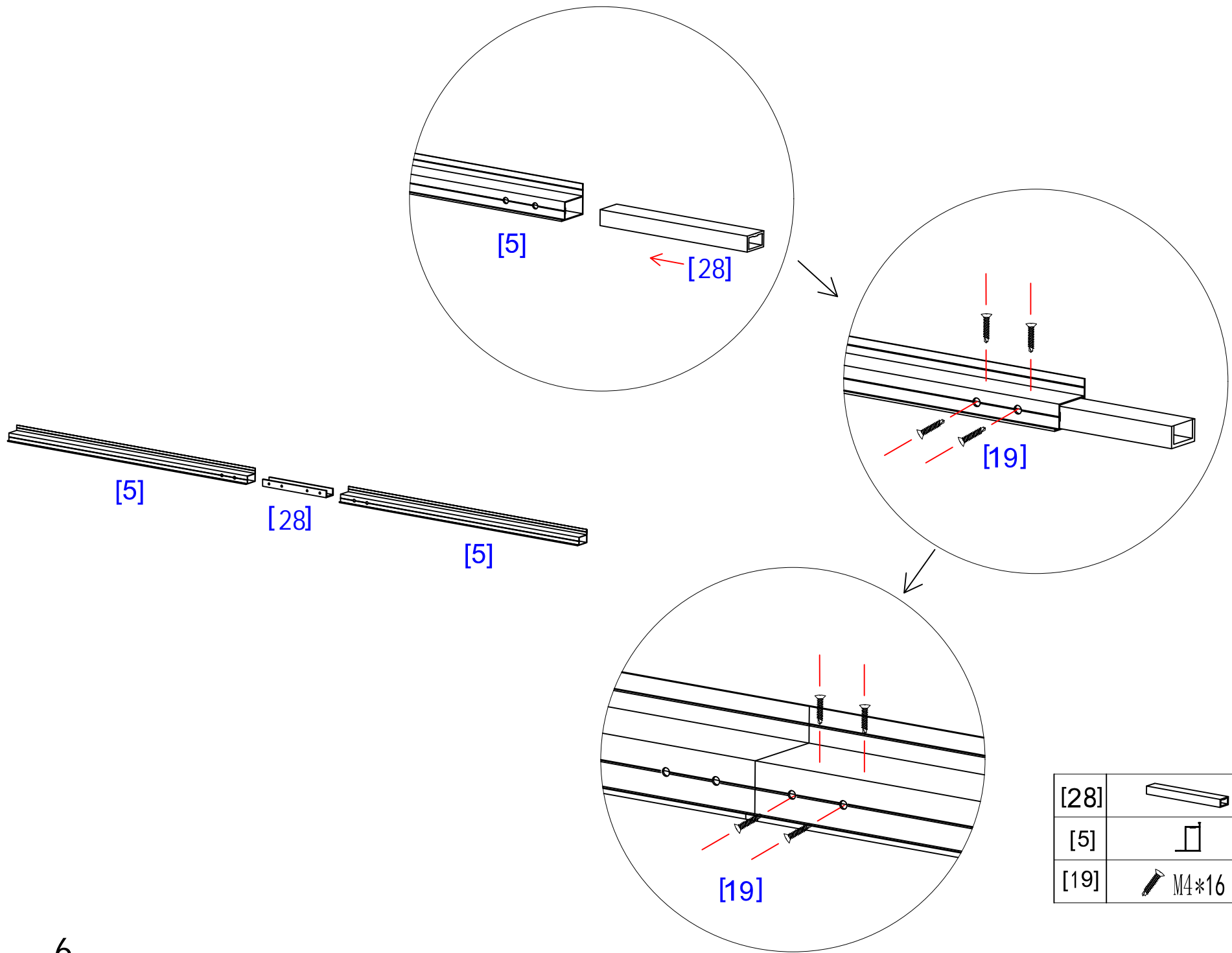
STEP1: Connect 2 front tubes, 2 back tubes and 10 small supports with internal inserts.



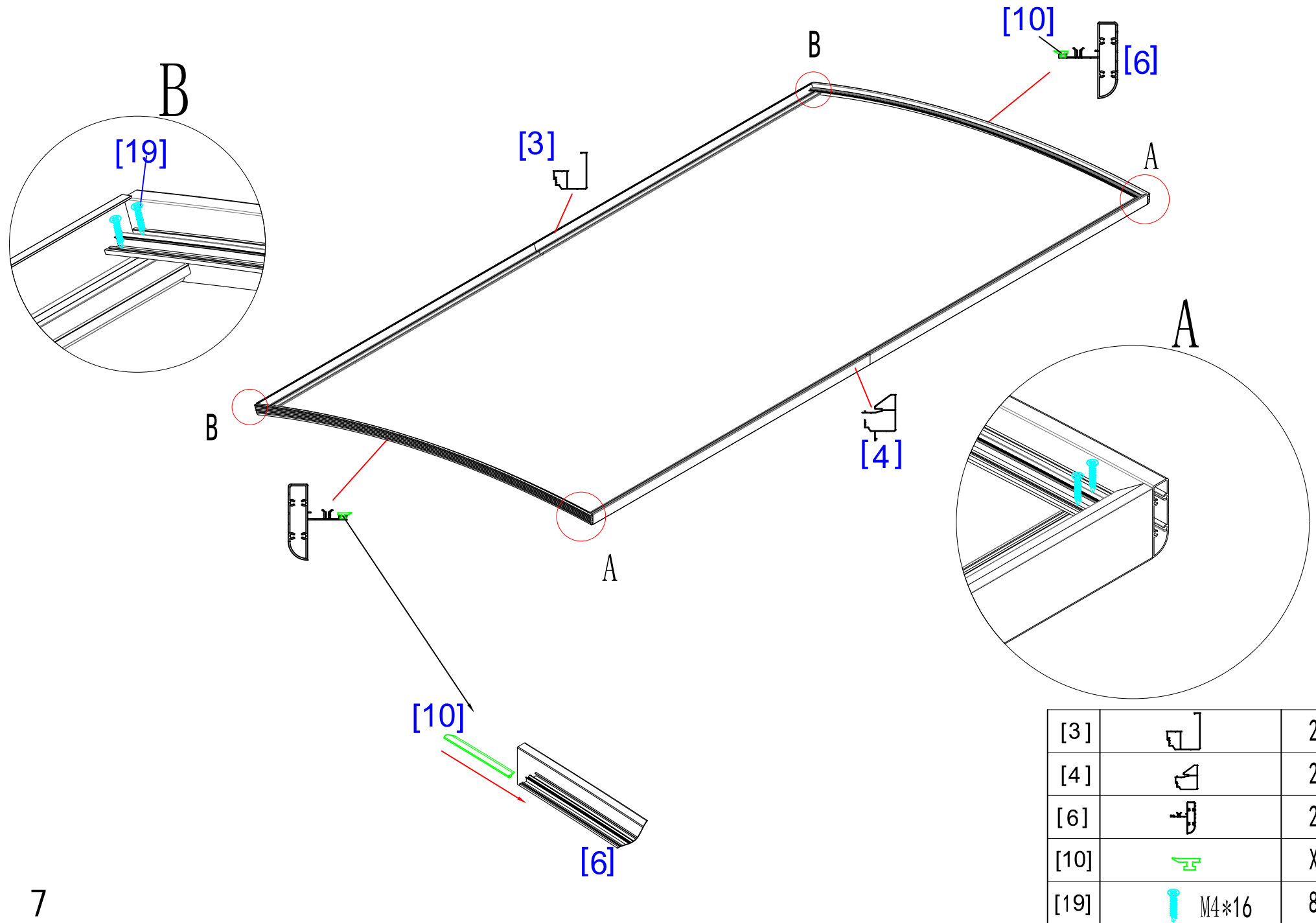
[19]	 M4*16	8
[4]		2
[24]		1



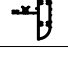




[24]		1
[16]	M4 *16	8
[3]		2

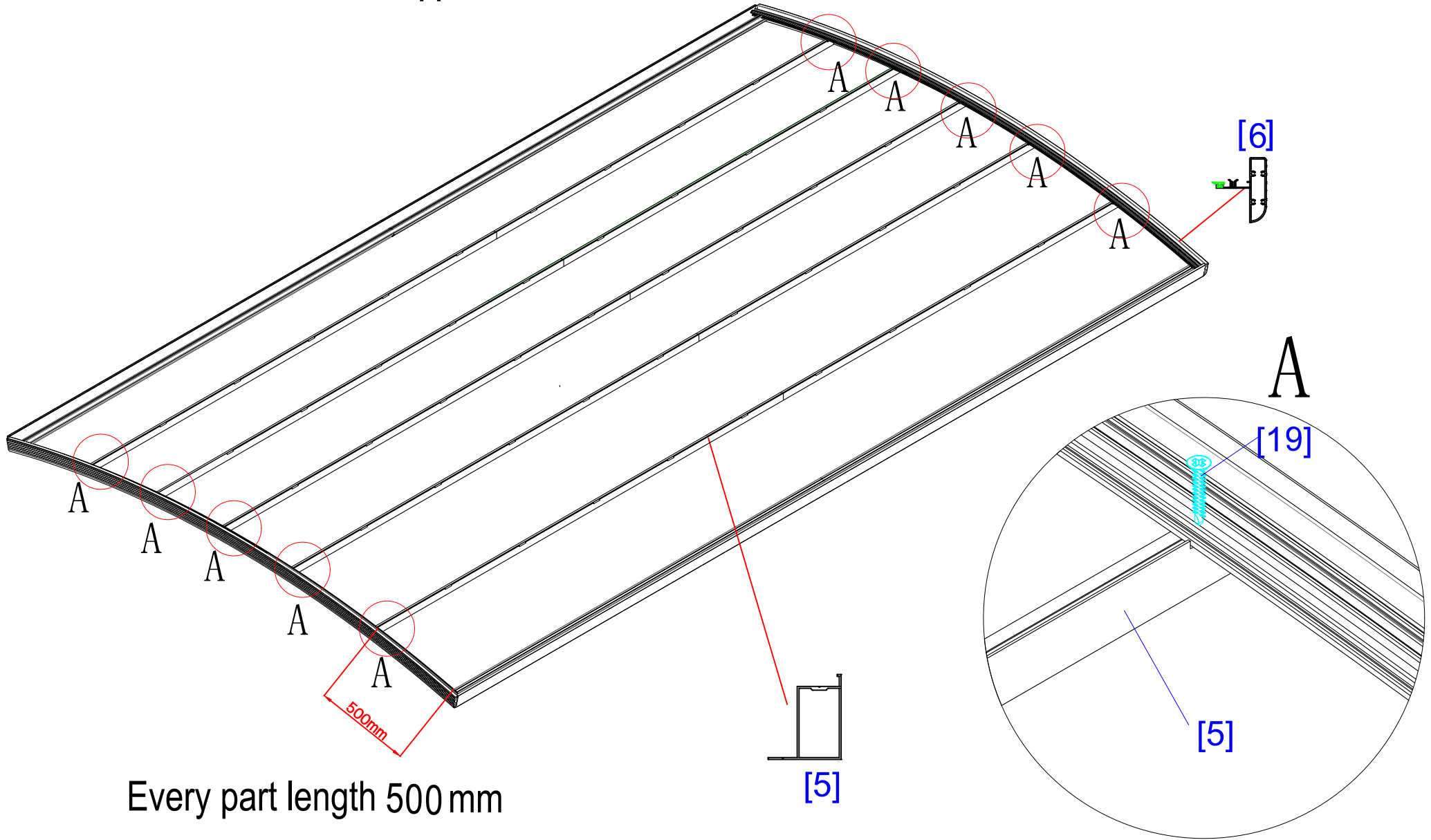


STEP2: Install I border.





[3]		2
[4]		2
[6]		2
[10]		X
[19]	 M4*16	8

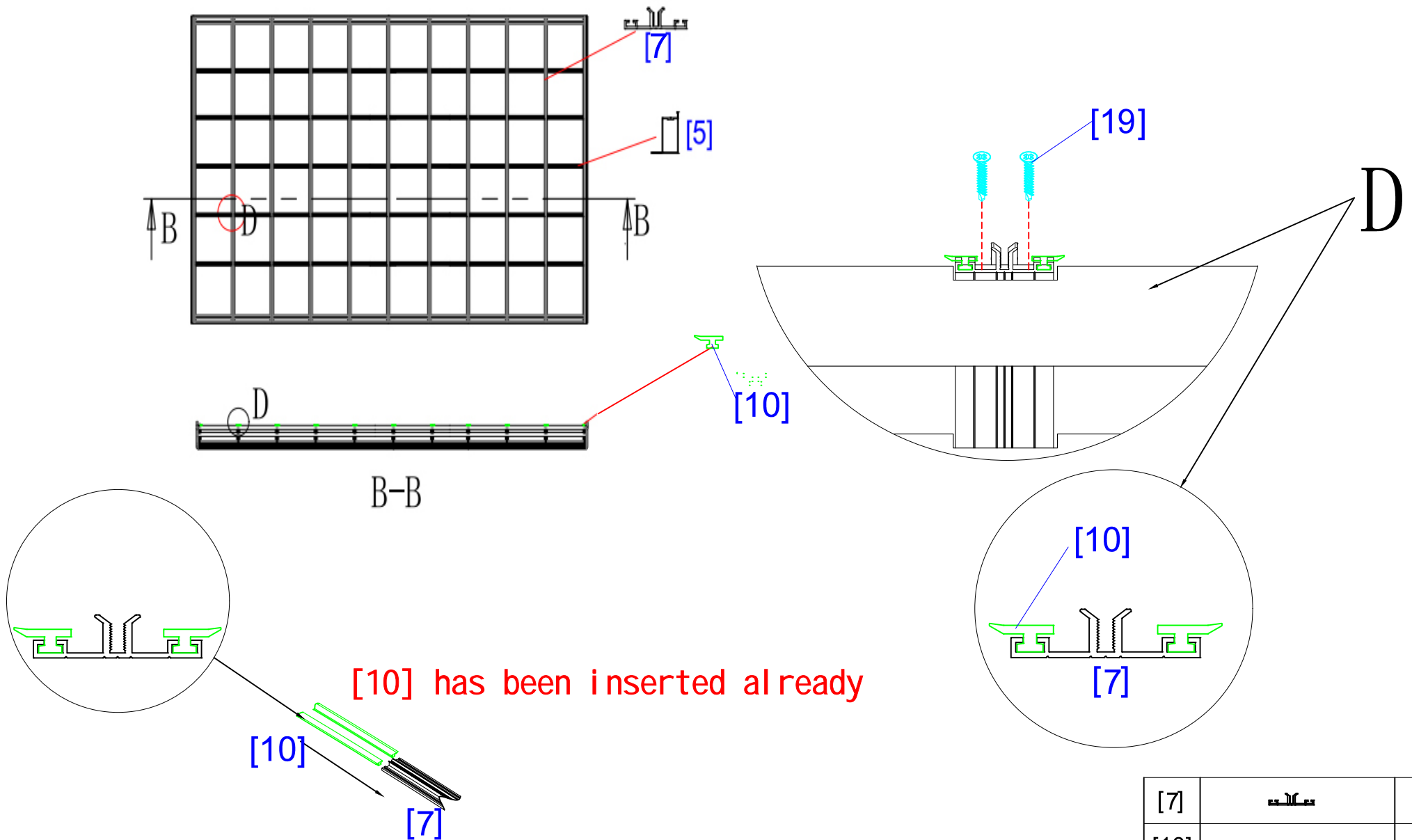
STEP3: Install small supports to the boarder.






Every part length 500 mm

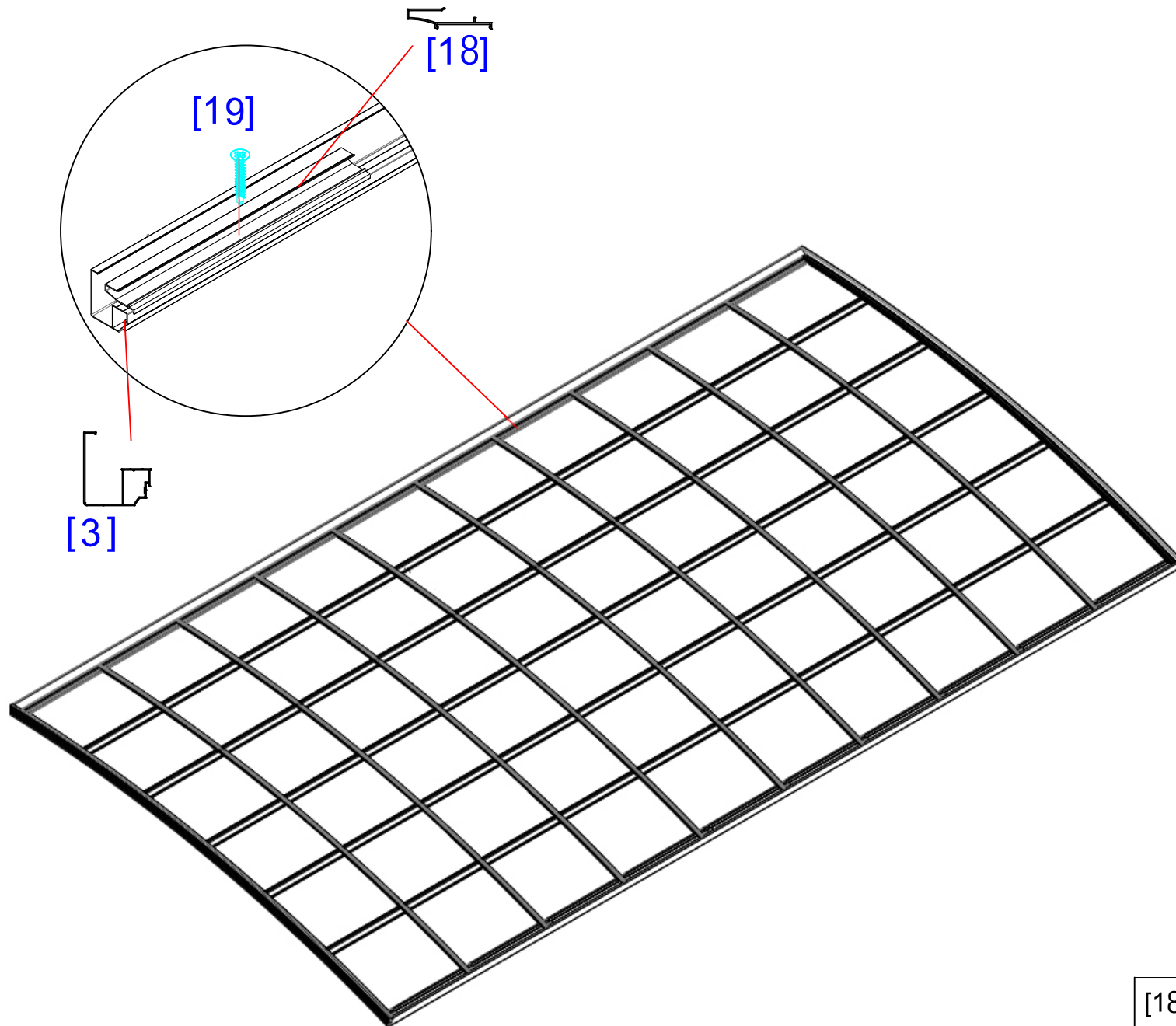
[5]		10
[19]	 M4*16	10

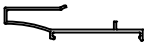

STEP4: Install 9 bottom cover strips.



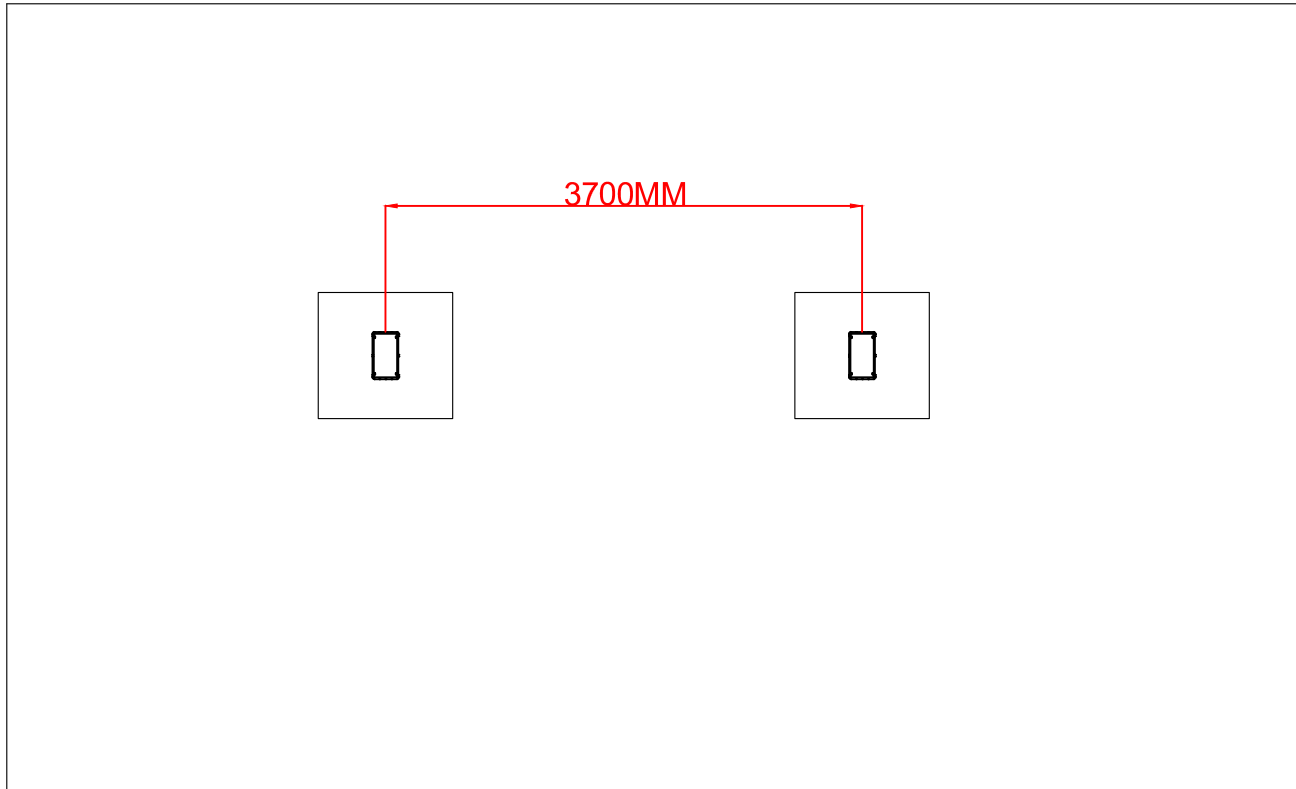
[7]		9
[10]		X
[19]	 M4*16	126

STEP5: Install pc sheet channels.



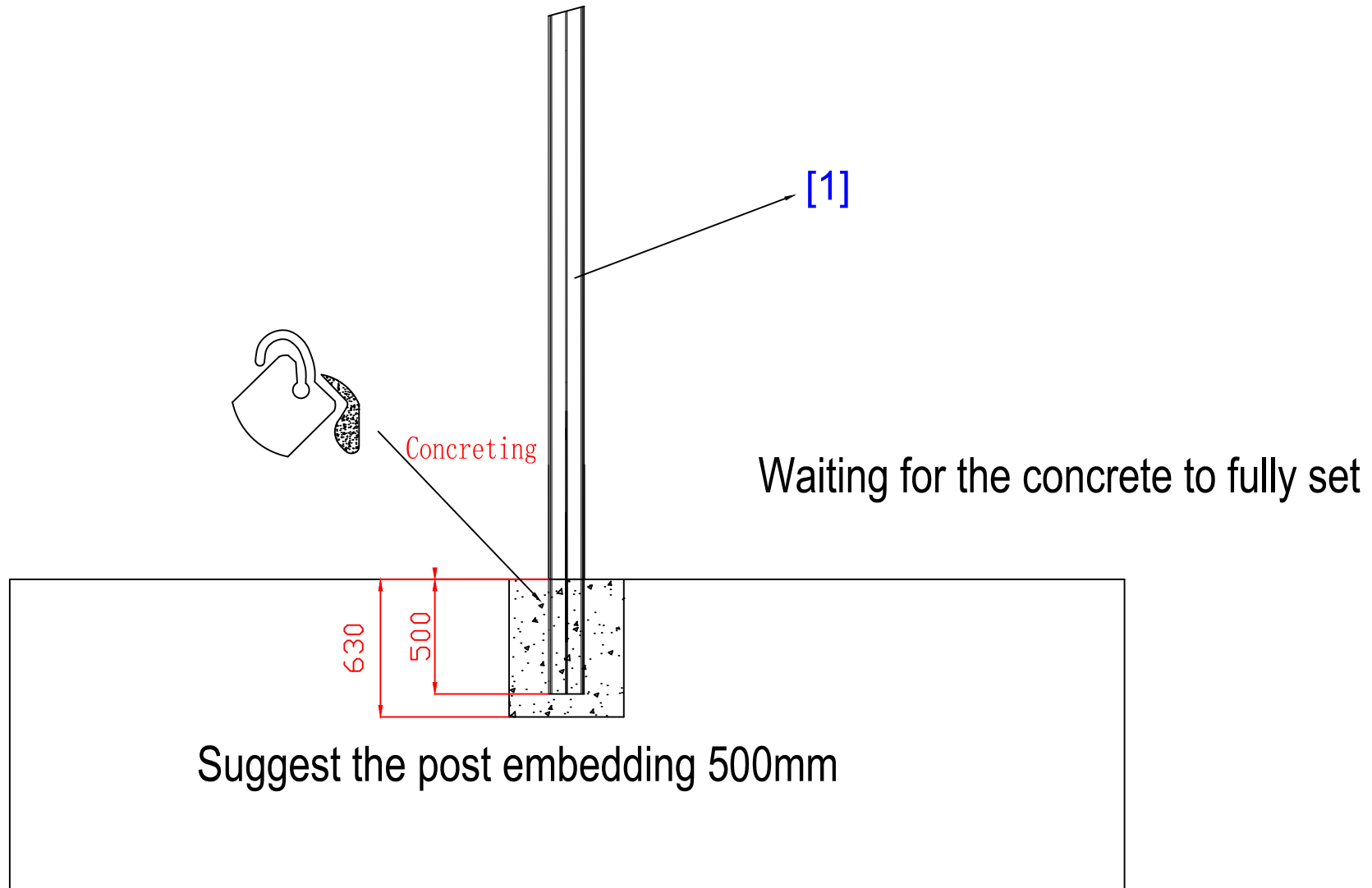
[18]		10
[19]	 M4*16	10

STEP6: Install the 2 posts: Determine the position of the posts and marked.



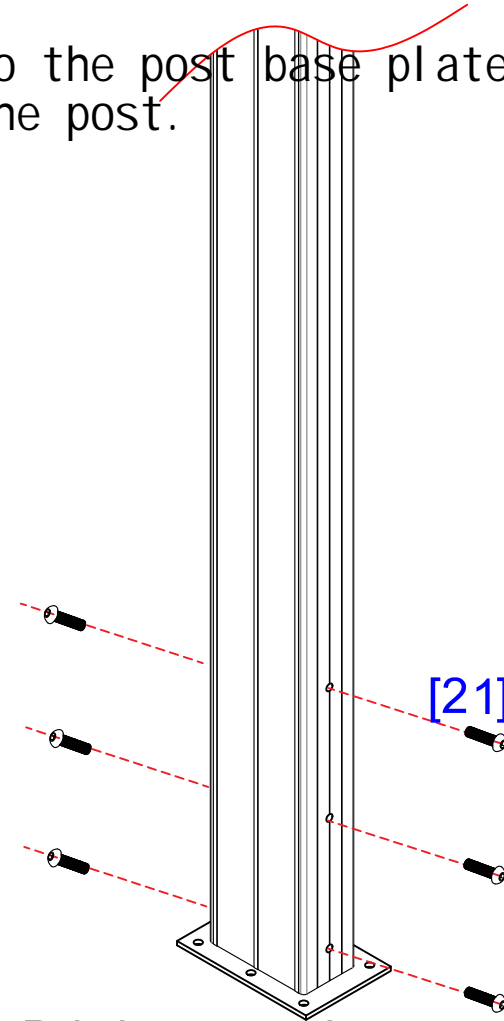
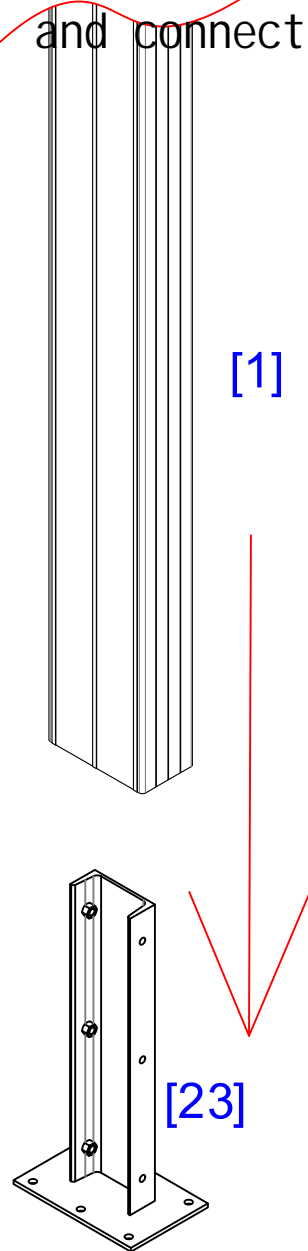
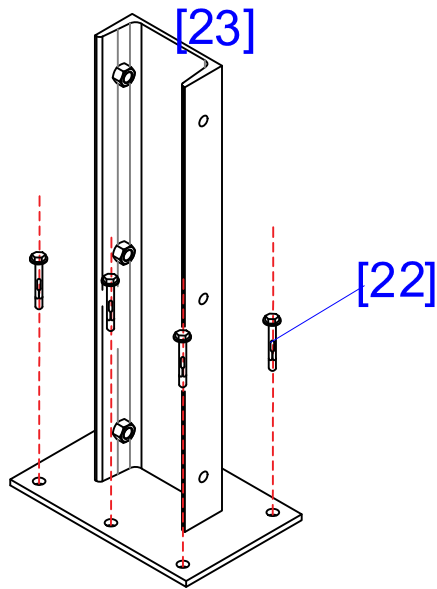
1, Recommend: Concrete installation

Dig 2 500*500*630mm pits at the 2 fixed places, place 2 posts in the middle of the pits. Then buried with wet concrete.







2, Optional: Ground pin only on concrete surface (if you choose ground Concrete installation, please ignore this page)

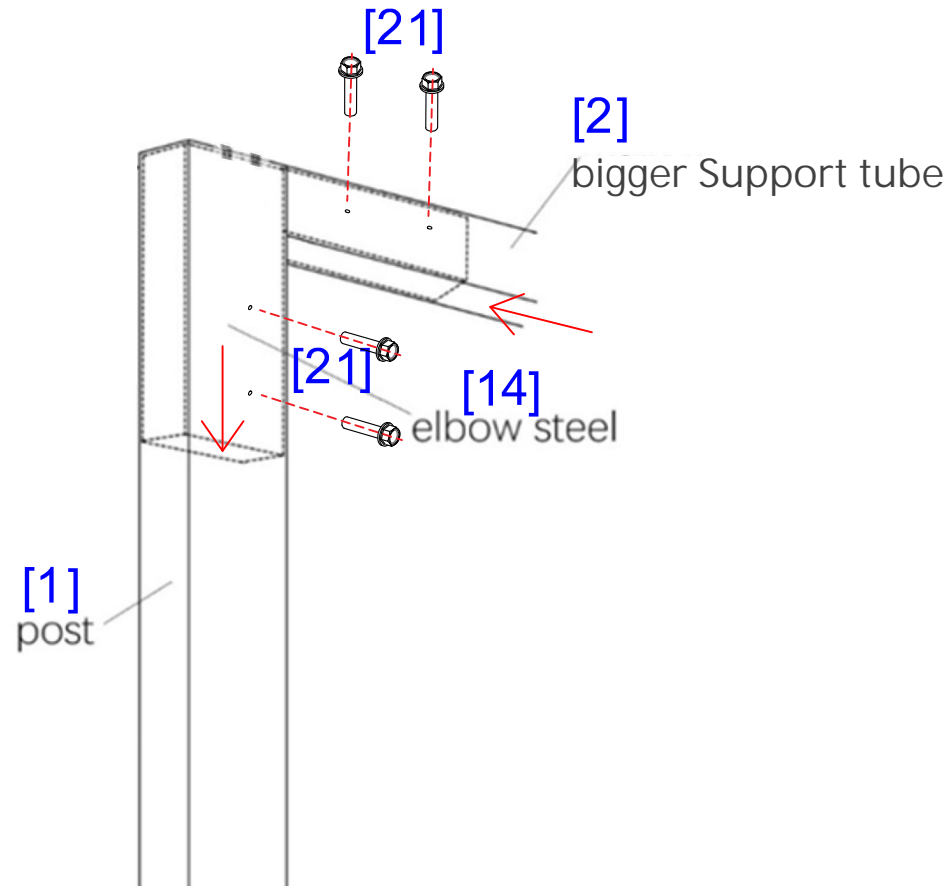
Drill holes at the 2 fixed places according to the post base plate holes. Fixed post base plate using screw [22], and connecting the post.





Drill holes on the post according to the position of the base plate hole

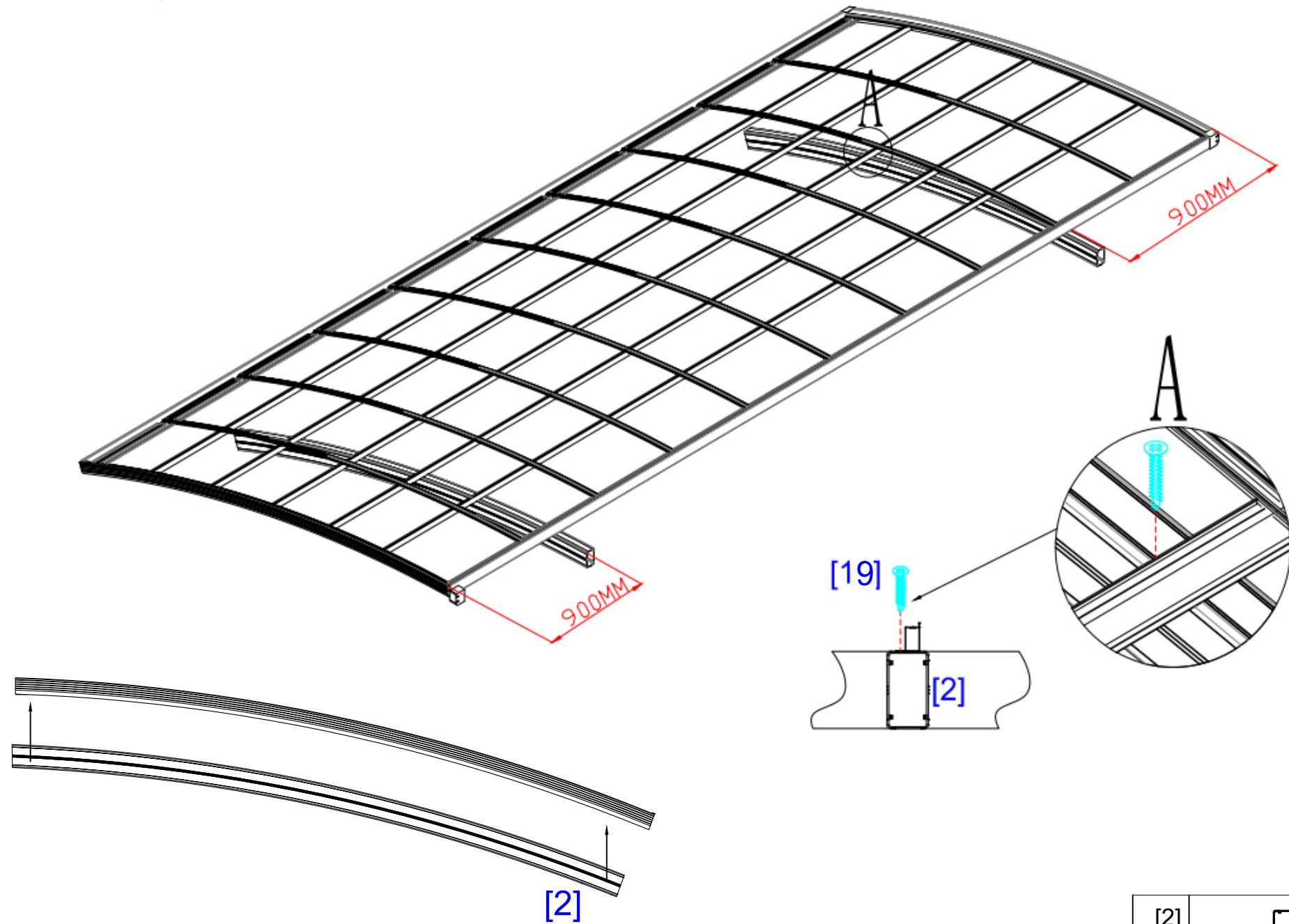
[1]		2
[23]		2
[22]	 M10*150	12
[21]	 M10*25	12



STEP7: Insert the brackets and bigger support beams into the post and secure it.



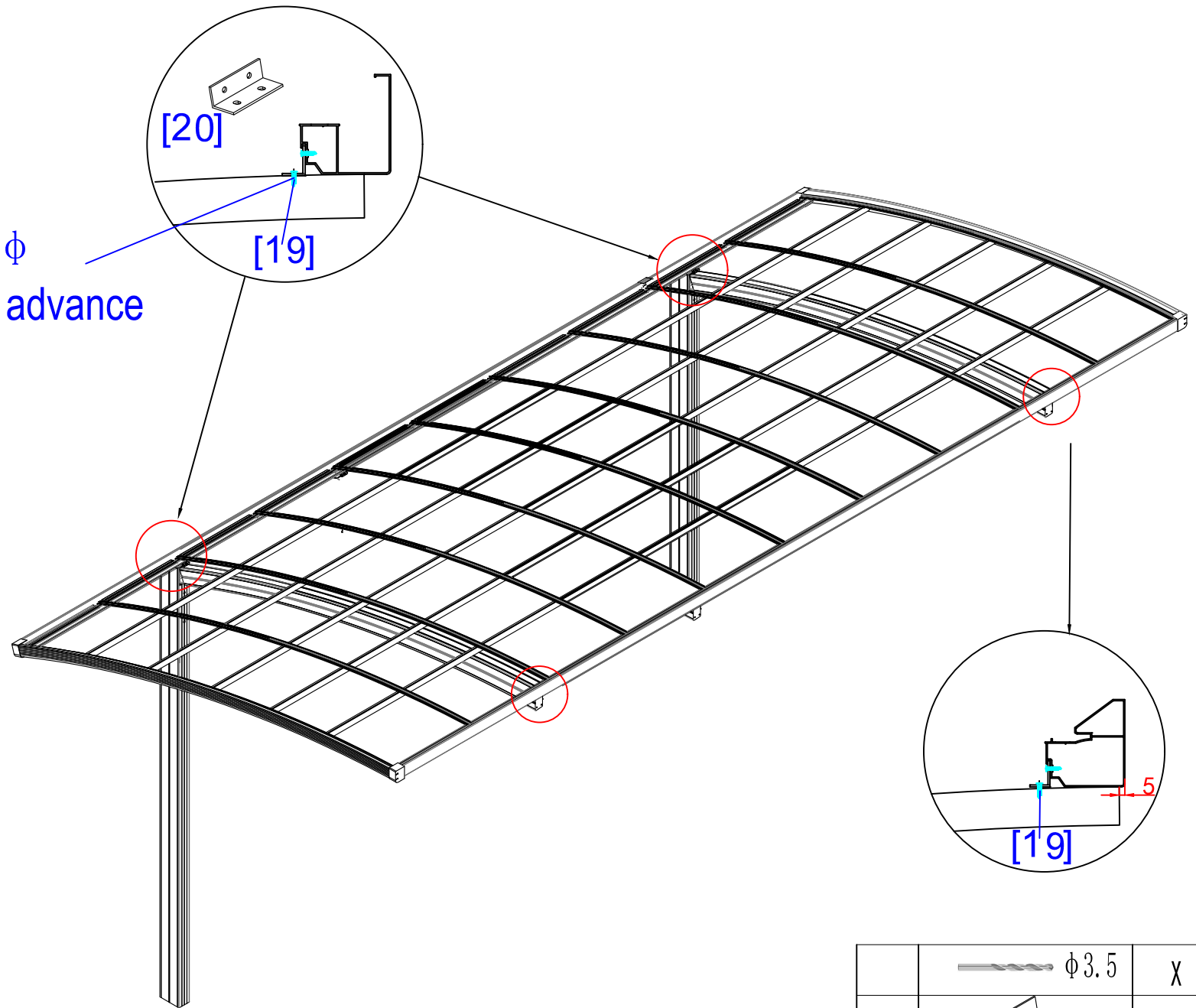
[14]		2
[21]	 M10*25	16


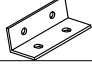

STEP8: Install the carport roof upon 2 bigger support beams.

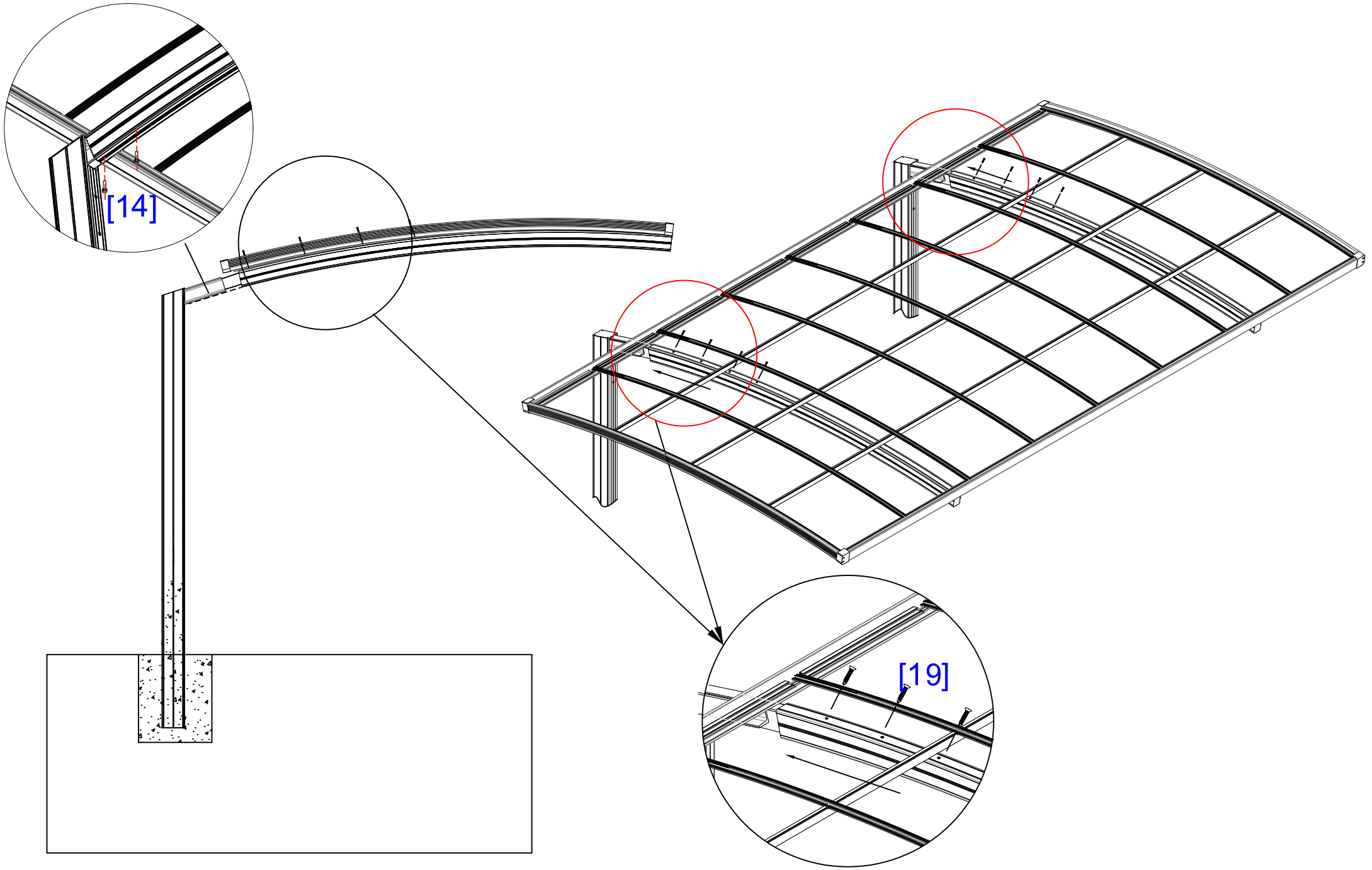


[2]		2
[19]	 M4*16	10

Use an electric 3.5 ϕ
drill to drill holes in advance



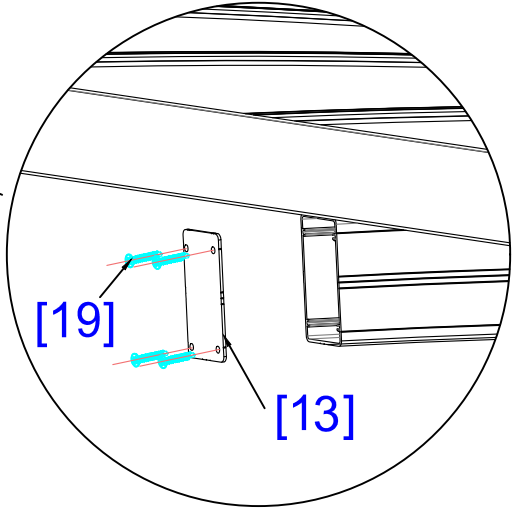
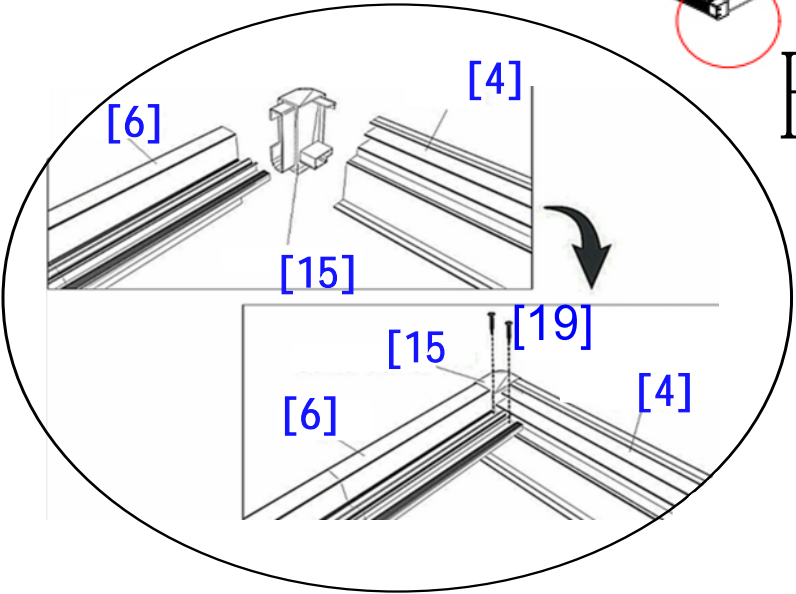
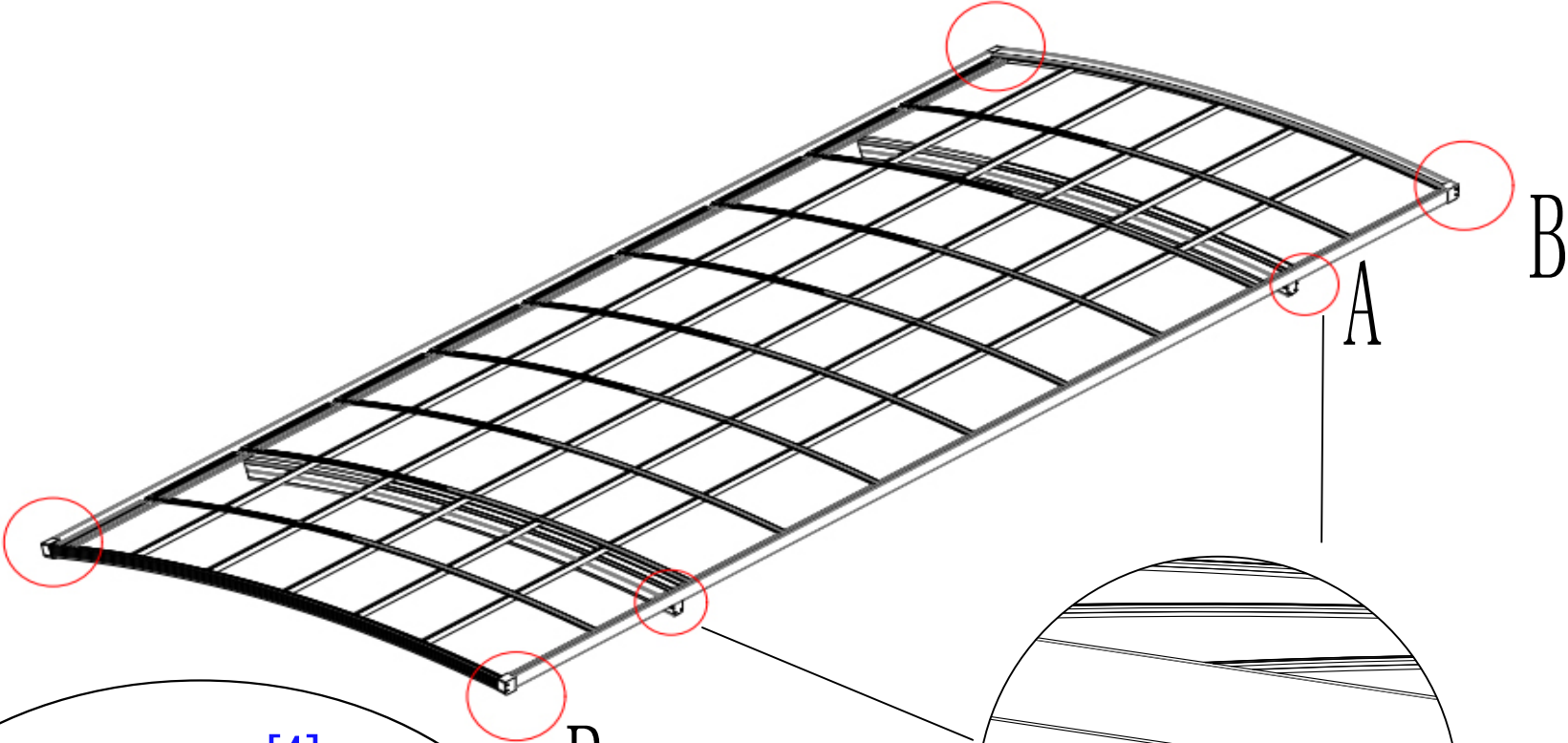
	 $\phi 3.5$	X
[20]		2
[19]	 M4*16	8



17




[19]	 M4*16	8
------	---	---

STEP9: Install bigger support tube caps, front tube caps.

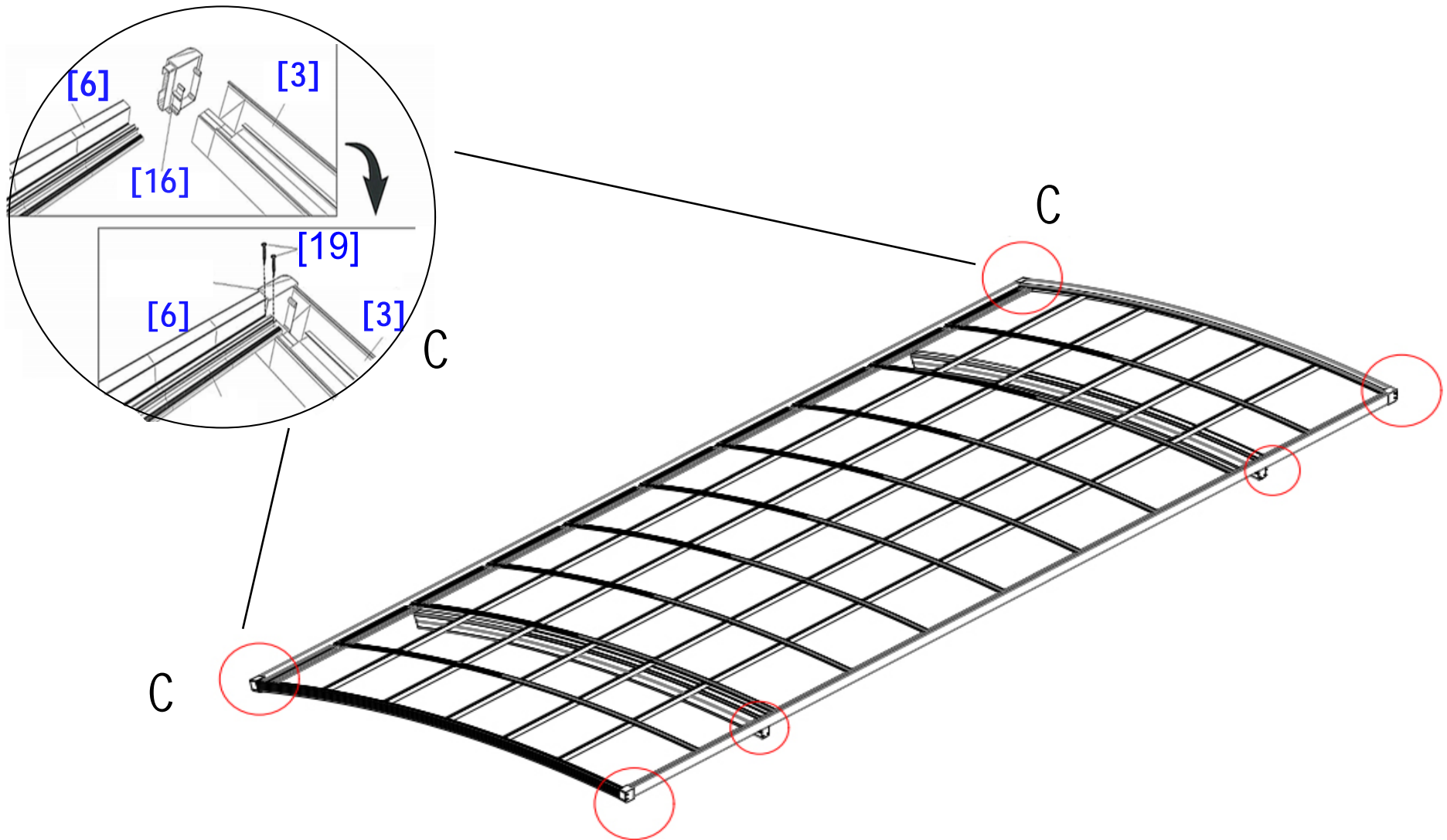


18

B

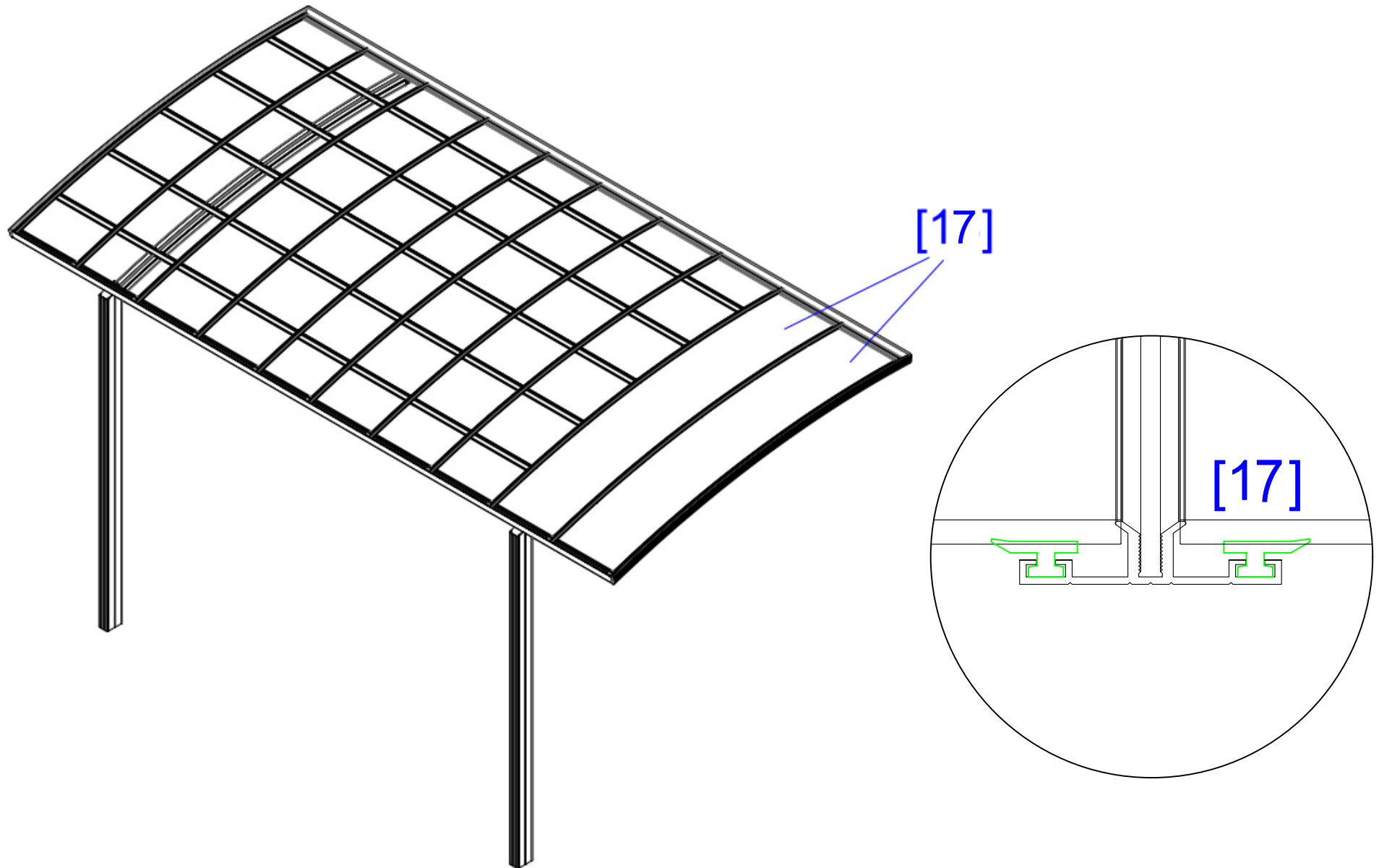
[15]		2
[13]		2
[19]	 M4*16	16

Install back tube caps.



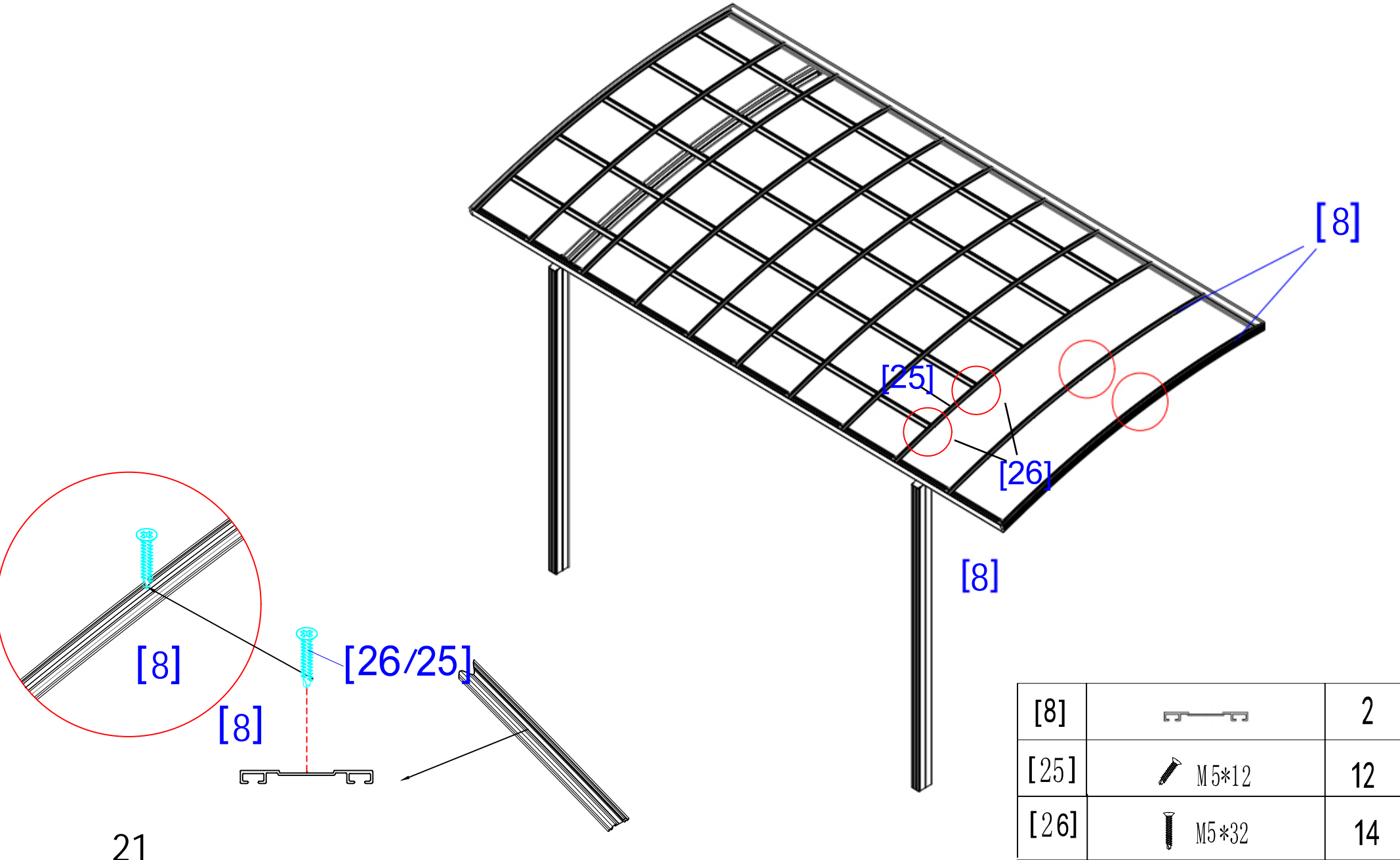
[16]		2
[19]	M4*16	8




STEP10: Install solid PC board. (protection film with logo faces the sun)

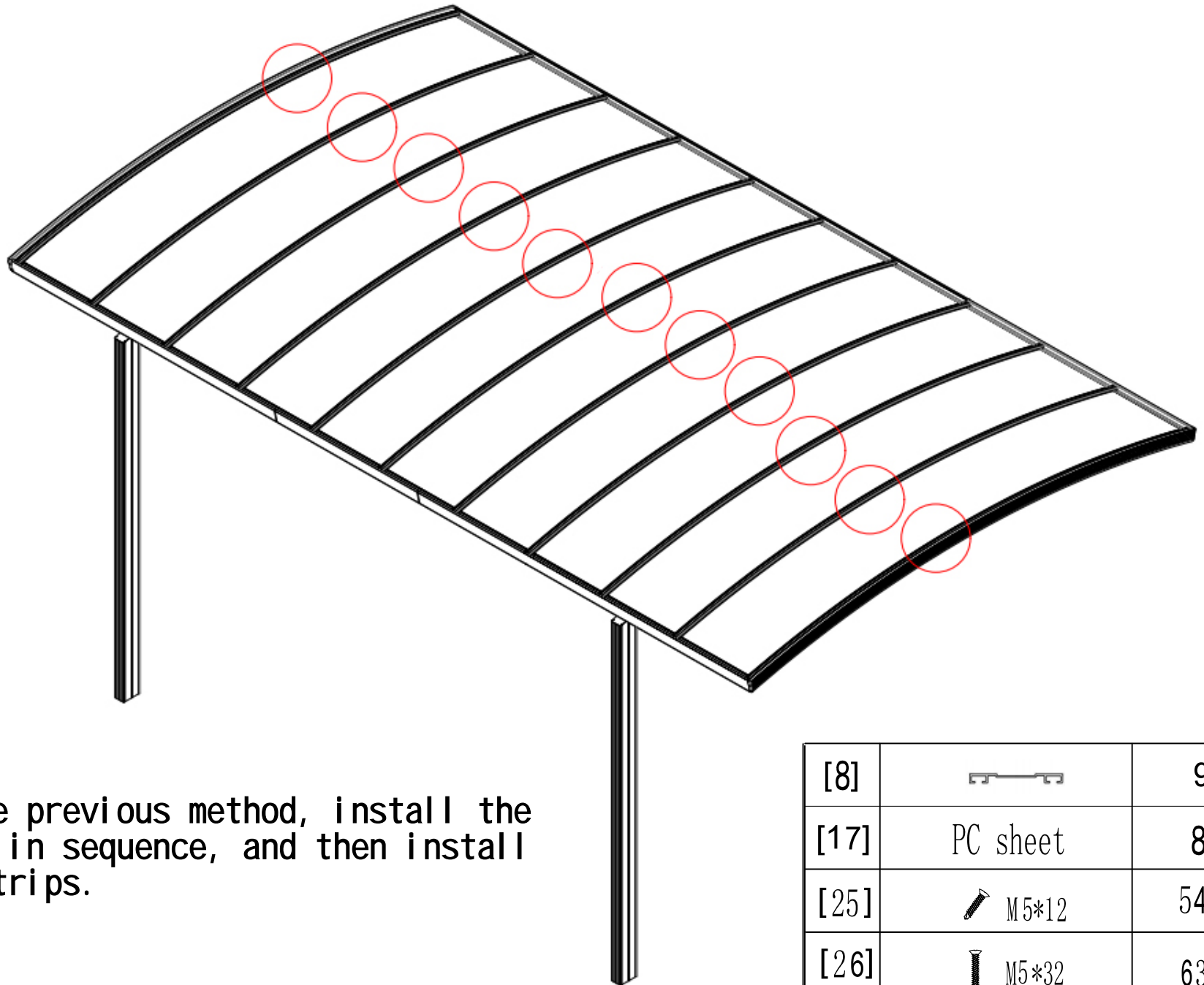


[17]	PC sheet	2
------	----------	---

STEP11: Install top cover strips. Screw 25 and screw 26 are used interchangeably.






[8]		2
[25]	 M5*12	12
[26]	 M5*32	14

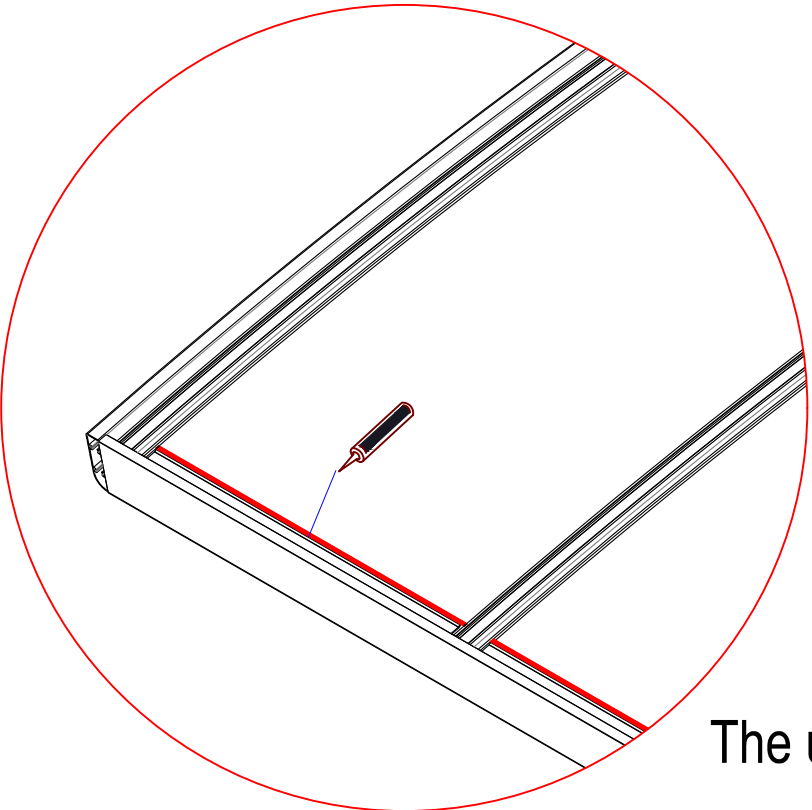
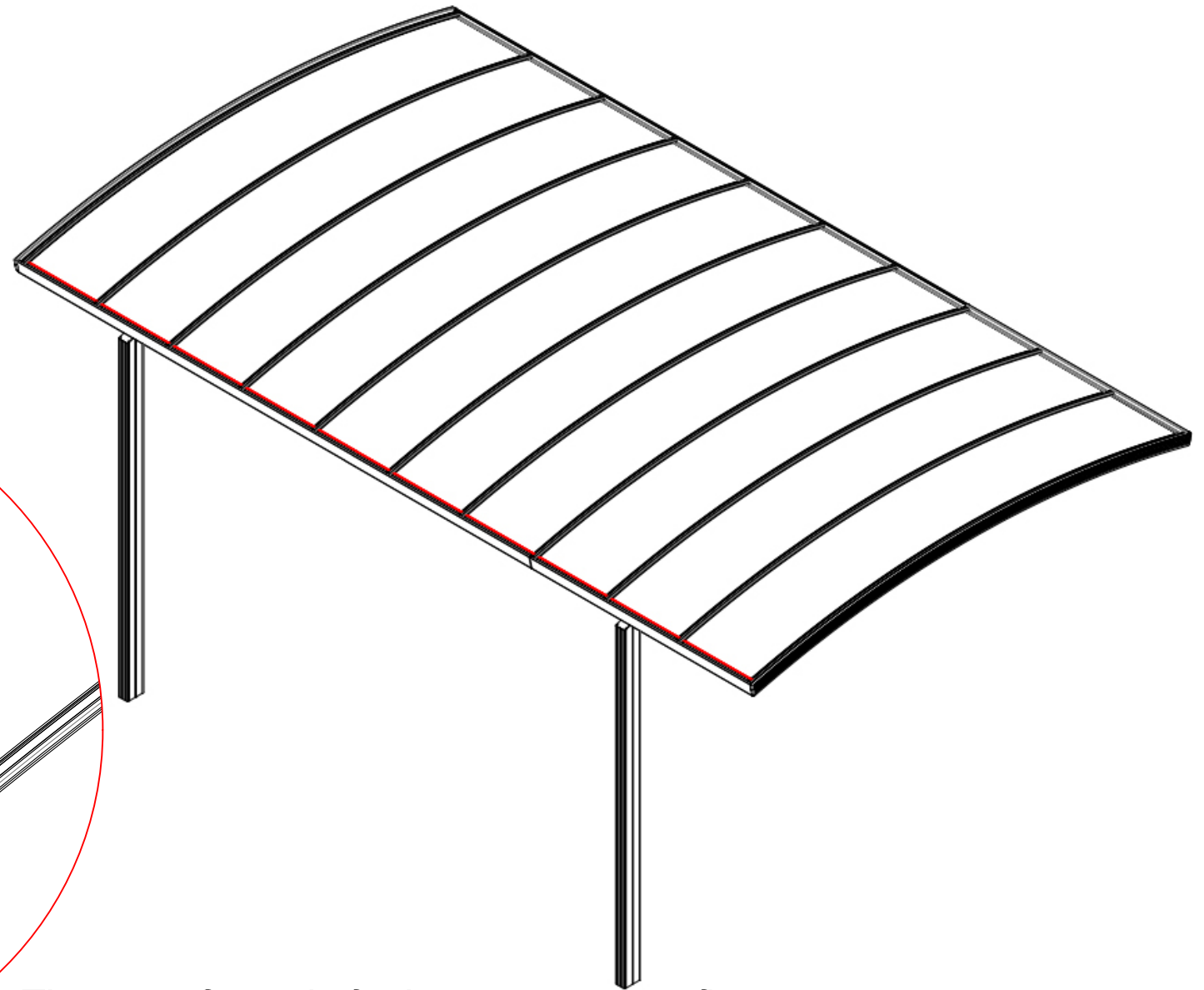


STEP12:

According to the previous method, install the solid pc sheets in sequence, and then install the top cover strips.

[8]		9
[17]	PC sheet	8
[25]	 M5*12	54
[26]	 M5*32	63

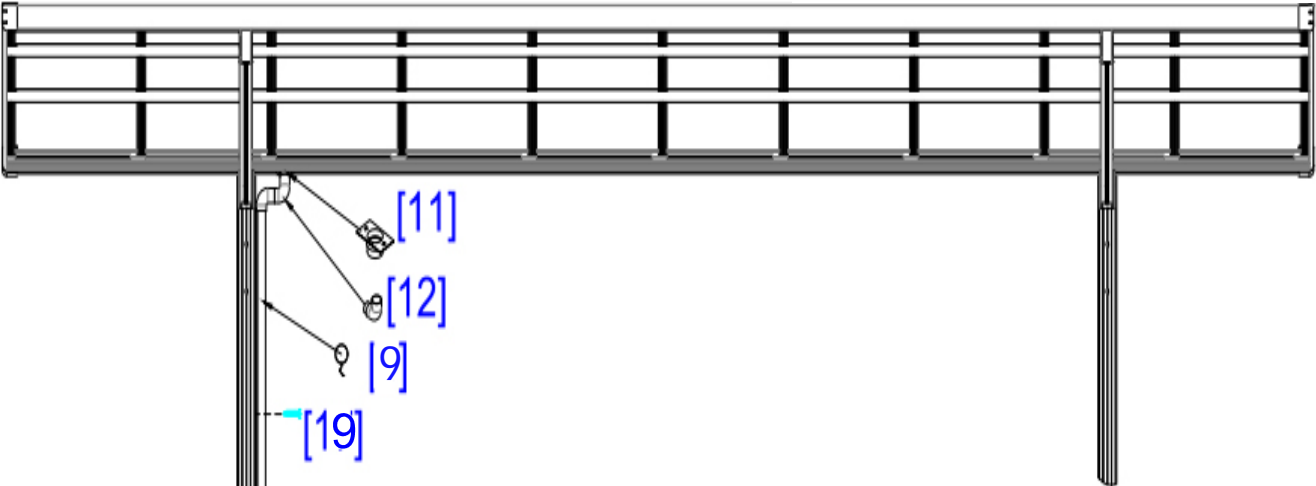
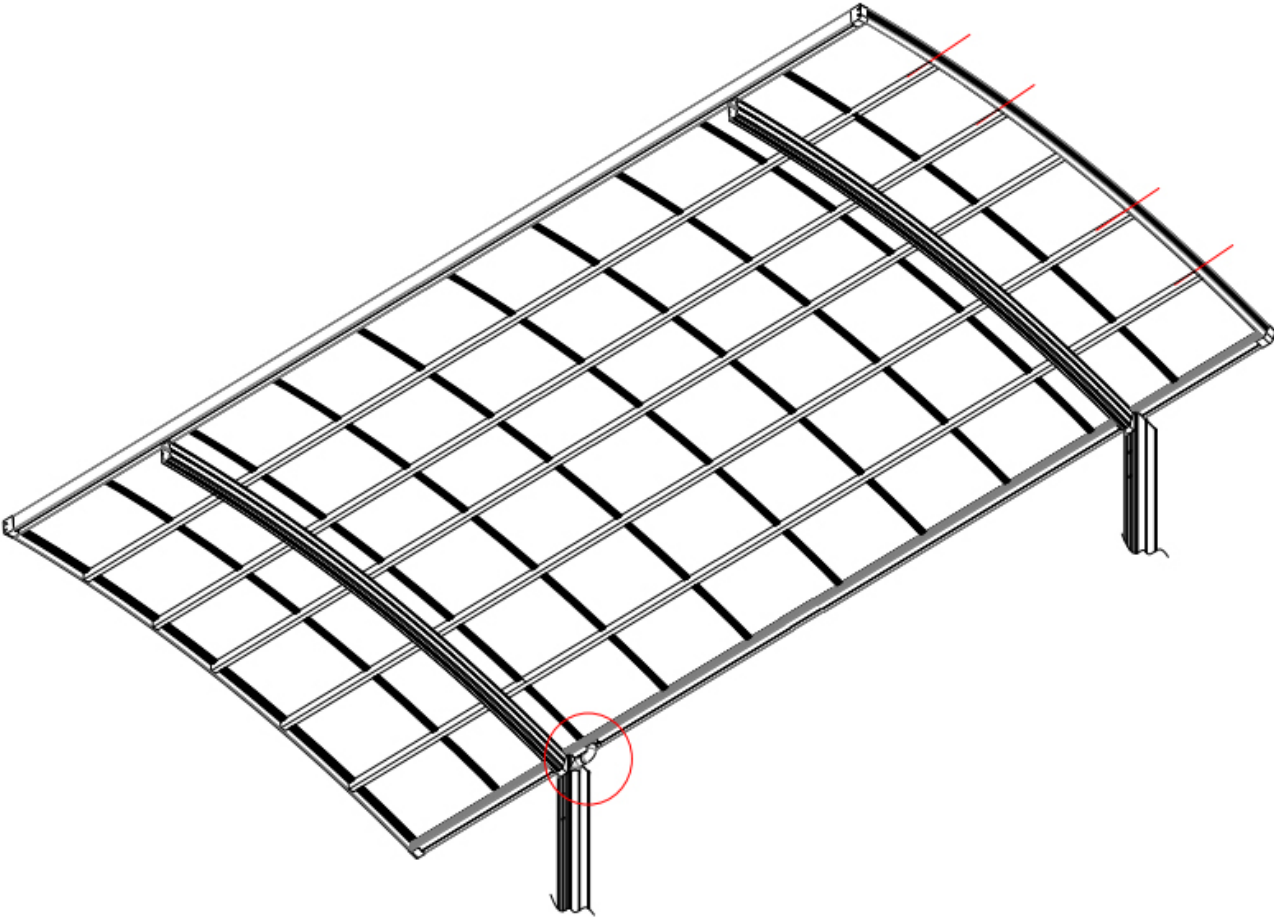
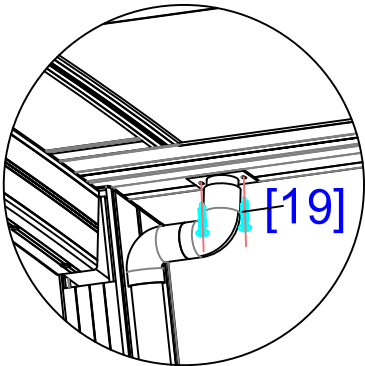
STEP13: Apply glue to avoid leak.



The use of glue is for better waterproofing



STEP14: Install drainage tubes.



24

[19]	M4*16	5
[11]		1
[12]		2
[9]		1

